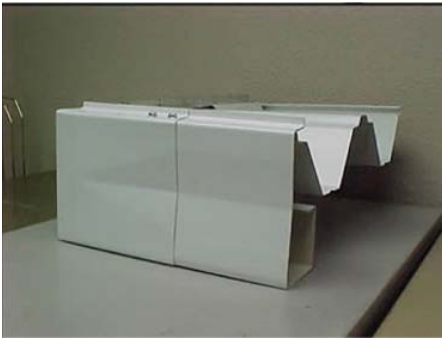


**BEFORE INSTALLATION, READ
ALL INSTRUCTIONS AND WARNINGS CAREFULLY**

General Assembly and Erection Instructions

for freestanding & wall attached full gutter canopies - refer to your order confirmation for load rated post spacing and beam placements.

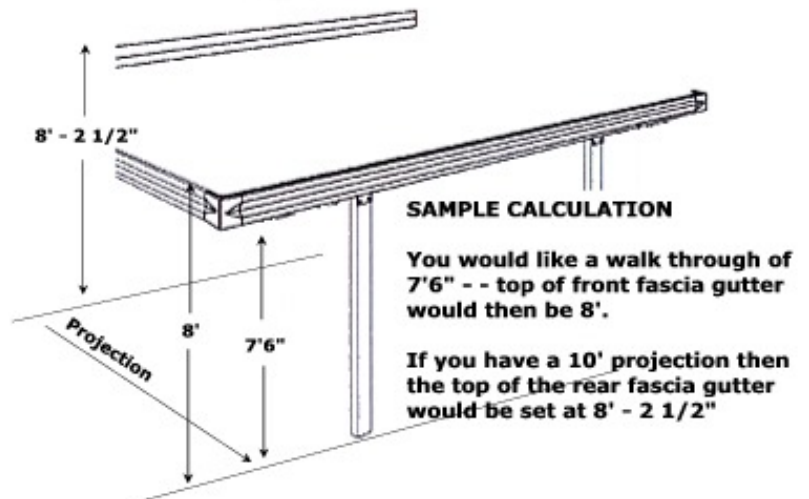


STEP #1

Rear Fascia Gutter:

Select the spot where the rear fascia gutter will mount to the wall. Draw a level horizontal line on the wall for positioning purposes. To determine the height of the top of the **rear** fascia gutter, determine how high the top of the **front** fascia gutter will sit and add 1/4" per foot of projection to obtain the height of the top of the **rear** fascia gutter.

If you have more than one piece of rear fascia gutter that makes up your width, you have been provided with splices and hardware with which to connect the pieces together. See the step labeled "**Front & Rear Fascia Gutter Splices**" (step 5).

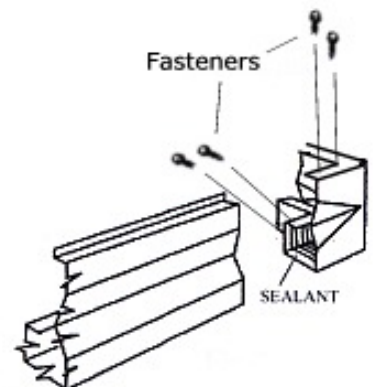


STEP #2

Corner Assembly for Rear Fascia Gutter

Attach corners at both ends of the rear fascia gutter by inserting fascia into corner until it stop against tab. Measure rear fascia length with corners on to verify that it is the correct length. Slight corrections can be made by sliding fascia out from tab or by bending tab in slightly and sliding fascia past the tab.

Once proper size is established, mark corner position and remove fascia from corners. Apply (2) two liberal beads of 'Gutterseal' one inch (1") apart and one inch (1") from end corner to all three inside corner surfaces and reinsert fascia to correct position. Use #10 3/8" S.M. screws to fasten corners to fascia. See actual photograph above.



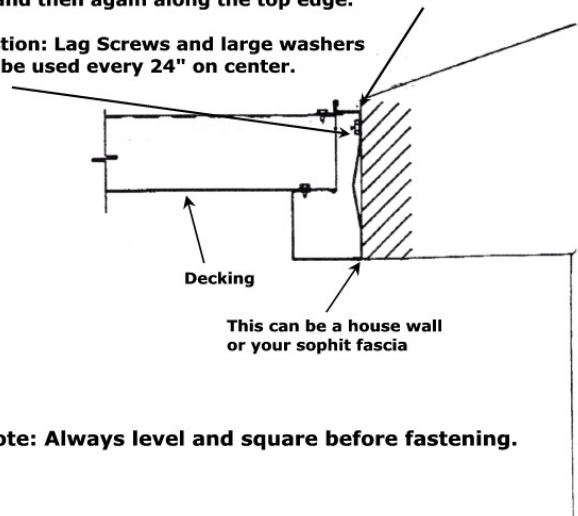
STEP #3

Install Rear Fascia Gutter

Once you have determined the back-wall height of the rear fascia gutter (step 1), and assembled the corners (step 2), with the help of one or more assistants (depending on the size of your awning) hoist the rear fascia gutter into place and use a lag screw to fasten it into the rafter ends (if mounting onto a fascia) or into a preinstalled ledger board on the house wall.

Suggestion: Caulk behind fascia (at top) before fastening and then again along the top edge.

Suggestion: Lag Screws and large washers should be used every 24" on center.



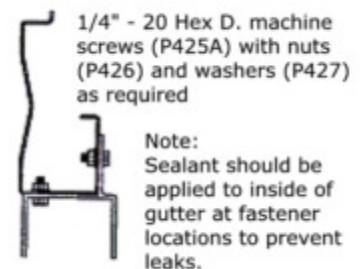
Note: Always level and square before fastening.

STEP #4

Post Brackets, Bolts, and Posts

Determine where you would like your posts to be located on the front gutter assembly. Your order confirmation contains the spacing requirements between posts based on the load requirements of your cover. If you have two or more pieces that make up the front fascia gutter assembly, you will be splicing them together in the next step. Simply lay them out on the deck or ground, butted together exactly as they will appear in the finished assembly.

Using top column bracket as a template, drill two holes in the bottom of the gutter to mount the post top brackets to the gutter using the 1/4" - 20 hex D machine screws supplied. Use 'Gutterseal' around holes in brackets and attach the brackets to fascia.



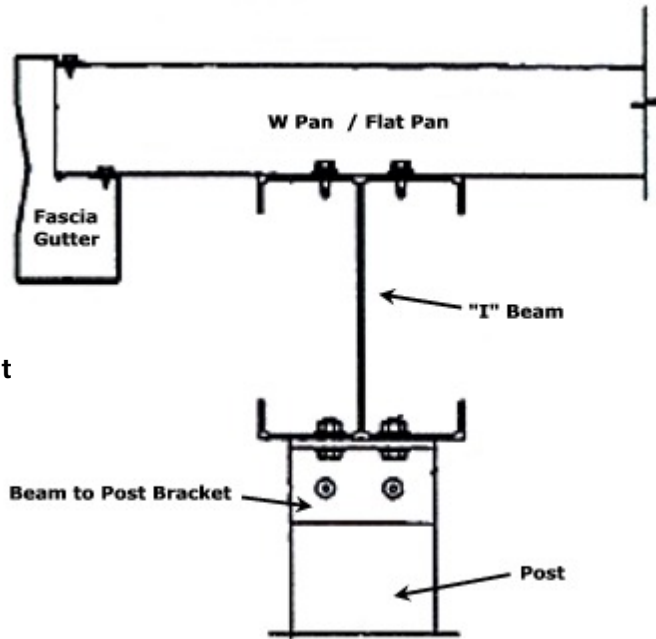
STEP #4(A)

If your unit is configured to use a beam, please take note of the bracket & beam attachments set out below. Your order confirmation will also dictate at what point that beam is to be placed along the projection. Use that figure to determine where the brackets for your posts will be attached to your deck or patio or where they should be cemented into the ground.

No matter which beam size you have (3"x3" / 4"x4" / 5"x7" / 3"x6" / 3"x10"), the beam must be cut to fit **inside** the two projection pieces of fascia gutter - - they are the ones that project away from the house wall. The beam must support the pans, and be directly under them as shown below. The ends of your beam will attach to the back side of the fascia gutter by means of your 4 angle pieces and supplied screws. You will use two angles per beam to fascia connection (one angle on each side of the beam). There will be two on one end, and then two on the opposite end.

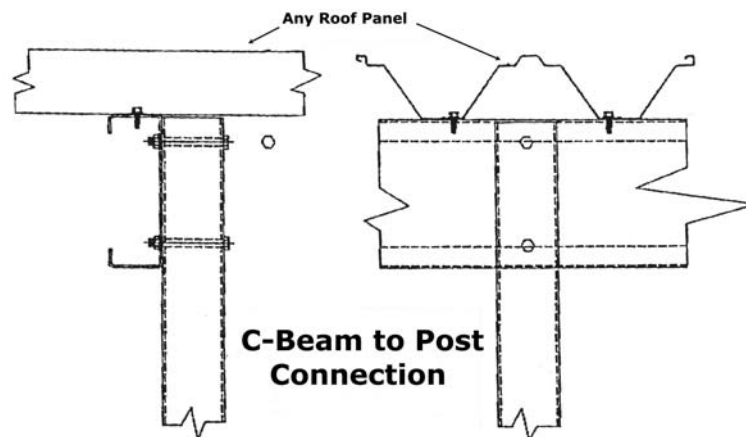
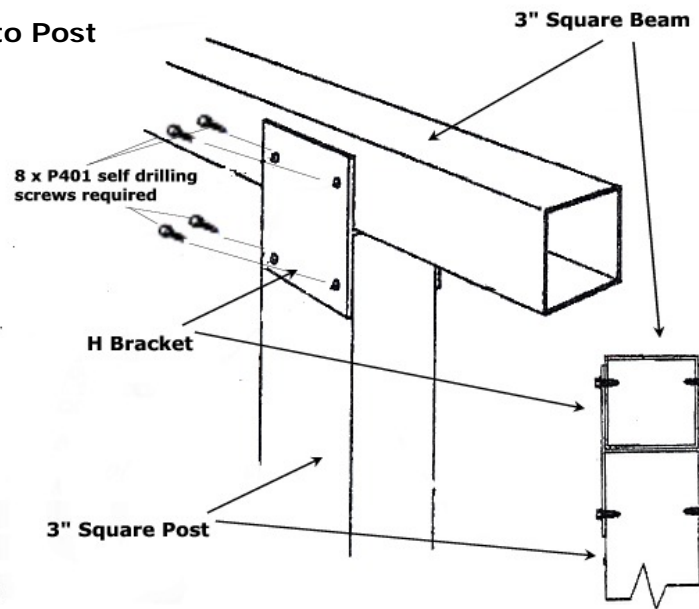


STEP #4(A) - Cont'd



"I" Beam Connection to Post

Square Beam Connection to Post

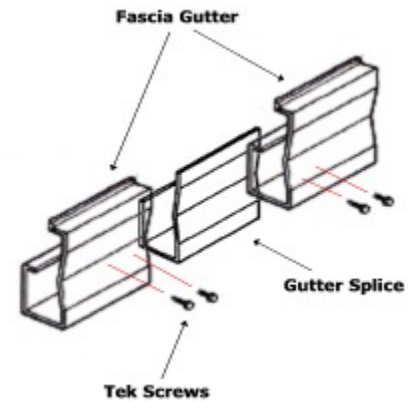


C-Beam to Post Connection

STEP #5

Front & Rear Fascia Gutter Splices:

If required for exceptionally long awnings, the front and rear fascia gutters must be "spliced" by utilizing the splice(s) provided in your kit. Keeping the front fascia gutter reasonably level, line up the 2 or more front fascia gutter pieces on the ground and slide the splice in place to check for fit and alignment. Temporarily remove splice and caulk it generously and then replace it in the gutter. Screw this splice in place with the self-tapping screws provided.

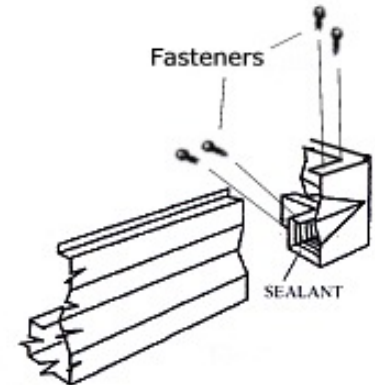


STEP #6

Corner Assembly for Front Fascia Gutter

Attach corners at both ends of the front fascia gutter by inserting fascia into corner until it stop against tab. Measure rear fascia length with corners on to verify that it is the correct length. Slight corrections can be made by sliding fascia out from tab or by bending tab in slightly and sliding fascia past the tab.

Once proper size is established (make sure it is exactly the same as rear fascia gutter!), mark corner position and remove fascia from corners. Apply (2) two liberal beads of 'Gutterseal' one inch (1") apart and one inch (1") from end corner to all three inside corner surfaces and reinsert fascia to correct position. Use #10 3/8" S.M. screws to fasten corners to fascia.



STEP #7

Lay out the posts, with the bottom brackets nearby, where they will be installed. At this time it is a very good idea to place a mark at every 8" for flat pan assemblies or 16" for W pan assemblies (beginning at either end) along the very top of the front fascia gutter. You will use these marks to align the awning pans and thereby prevent the installation of a "fan" shaped product. Starting each time from the same end of the awning, place an identical set of marks on the under side of the rear fascia gutter that you have installed on the house wall.

STEP #8

Determine post height.

Sample Calculation #1: If you have the top of the rear fascia gutter at 8' and you have a 10' projection you would calculate post height as follows...

$$8' \text{ minus } 6'' \text{ (fascia gutter height) minus slope of } 2\text{-}1/2'' \text{ (1/4'' per foot of projection)} = 7' \text{ } 3\text{-}1/2''$$

Sample Calculation #2: If you have the top of the rear fascia gutter at 9' and you have a 12' projection you would calculate post height as follows...

$$9' \text{ minus } 6'' \text{ (fascia gutter height) minus slope of } 3\text{-}1/2'' \text{ (1/4'' per foot of projection)} = 8' \text{ } 2\text{-}1/2''$$

NOTE: Measure twice, cut once. Remember it's real easy to cut the posts down in size, but VERY difficult to make them longer !!

STEP #9

Temporarily insert side fascia gutters into front fascia gutter corner assemblies. Once posts are cut, with the help of one or more assistants (depending on the size of your awning) hoist the front and side fascia gutter assemblies up and support the assembly with ladders or wooden braces so that you can insert the side fascia gutters into the rear fascia corner assemblies and then put the posts into place under the front fascia gutter (**do not do this on a windy day!**).

"Square" up the awning perimeter by temporarily installing an awning pan about every 6 to 10 feet. This is IMPORTANT!

With this done you can then make your posts vertical using a large level. Mark the post placement on your deck or patio. You have now determined where your bottom post brackets will be set.

STEP #10

While supporting the complete fascia gutter assembly, make sure the front fascia is level along the width of the assembly. Cut your posts as necessary. Now move one post at a time out of position and lag screw the bottom brackets into your deck or patio. Put your posts back into place - secure the posts into the top bracket ONLY!

Once this is done, follow the same procedure as in steps #2 & #6 to caulk and screw the side fascia gutters into position within the corner fascia assemblies. Now secure the posts into the bottom brackets.

STEP #11

Drain Installation

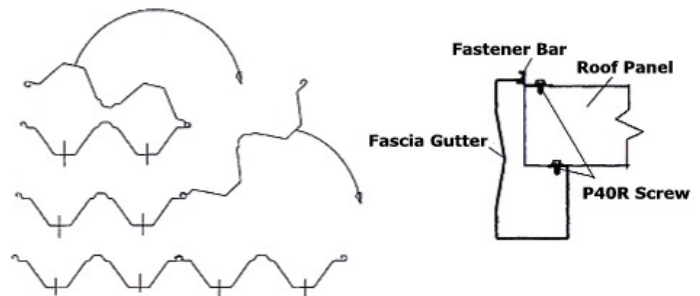
Note that a minimum of 3 drain caps (scuppers) are to be installed in the front fascia gutter, one in the center and one each on either end, 12" away from each corner. One drain cap per 100 sq. ft. of canopy.



STEP #12

Awning Pan Installation:

With the perimeter installed and squared up, start installing the awning pans on the left side of the awning (left is determined by facing the structure to which the awning is being attached). The edge of the very first and the very last pan ride in the upper slot of the extruded side fascias.



You may need to "squeeze" the pans slightly as you go in order to stay on the marks you have placed on the rear and front fascia gutters. The pans are designed to interlock by "rolling" the edge of each consecutive pan into the lock of previously installed pan.

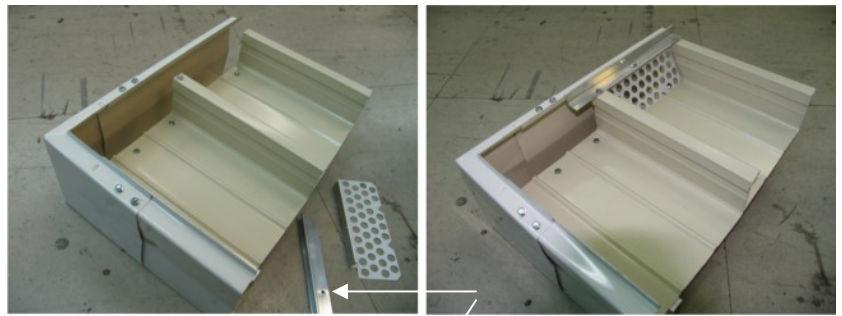
Screw down each pan as you go and pay attention to your spacing marks as you progress. Continue installing panels and reuse your "temporary" stabilizing panels as you go.

Occasionally check both corners for square-ness. If a correction needs to be made, do it immediately, as the awning becomes stronger with each screw that is applied!

STEP #13

When all awning pans are securely fastened in place, screw the fastener bar with #10 x 3/8" SM screws through the fastener bar and each roof panel 'interlock.'

Afterward you may then install your optional leaf guards. Leaf guards are not available on the 12" flat pan systems



Fastener Bars



STEP #14

Flashing: (not supplied with the kit)

Depending on your situation, you may want to caulk your flashing installation both before and after you install the flashing. Install the flashing to the structure by tucking it under the existing roofing material or edge metals if possible and screwing it to the awning **ONLY ON THE VERY TOP OF THE INTERLOCKS** of the awning pans. Caulk where necessary.

Apply caulking over all exposed screw heads on the top of the awning. If you are installing your unit directly underneath an overhang projecting 12" or more from the structure and the unit will be installed within 5 inches of the underside height of the overhang, the flashing is not normally needed.

That's all there is to it!

ENJOY YOUR NEW PATIO COVER!

